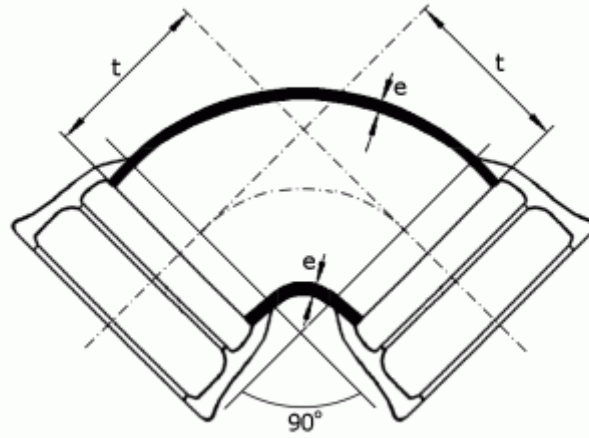




●Type T Double Socket 90° Bend



K=12

Unit: mm

DN	e	t	Weight (kg)
80	7.0	100	8.6
100	7.2	120	11.4
150	7.8	170	20.5
200	8.4	220	33.0
250	9.0	270	48.5
300	9.6	320	68.0
350	10.2	370	95.7
400	10.8	420	118.0
450	11.4	470	149.0
500	12.0	520	187.2
600	13.2	620	213.7
700	14.4	720	393.1
800	15.6	820	536.2
900	16.8	920	609.0
1000	18.0	1020	914.7
1100	19.2	1120	1153.5
1200	20.4	1220	1437.5